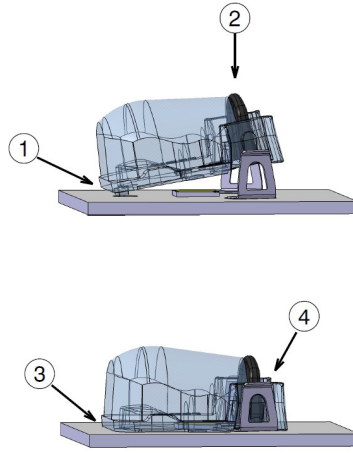


REV	DATE
002	25.09.2025

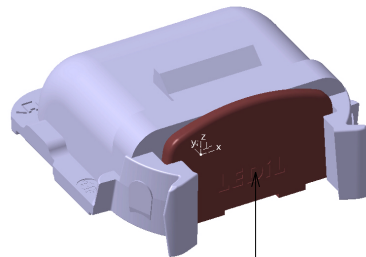
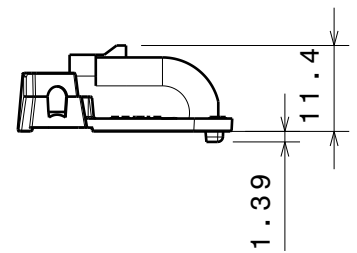
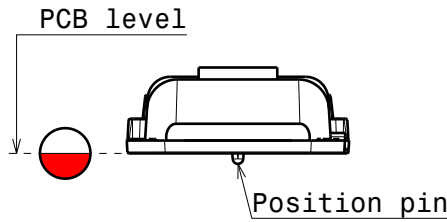
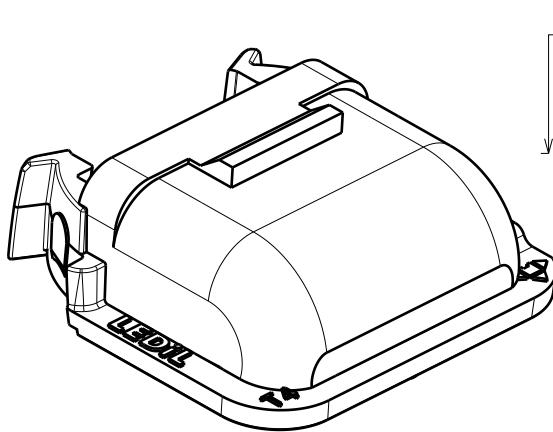
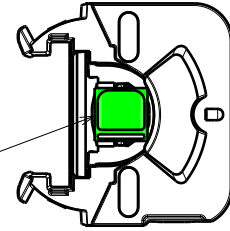
### Placing the lens

1. Align the position pin with the hole
2. Press down until the clips lock
3. Check that there is no gap between lens and PCB
4. Check that the clips have locked properly

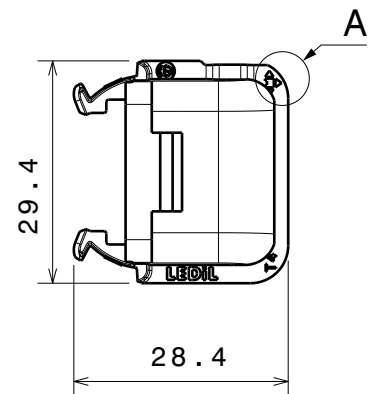


Det A  
Beam direction

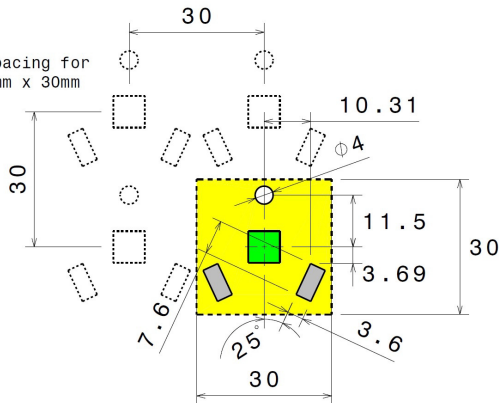
Led size max  
7mm x7mm



optional  
Shade part



Minimum spacing for array: 30mm x 30mm



- LED position
- Solder clip pads
- Minimum space for the lens

Solder-Clip (2pcs each lens) and optional Shade part available from Ledil.  
See more at [www.ledil.com](http://www.ledil.com).

PART	MATERIAL	COLOR / COATING
L20417_STRADA-SQ-SC2-T4 003_mechanicalModel 002	PMMA	Clear'

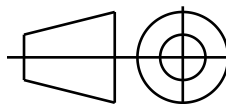
## MECHANICAL DRAWING

PRODUCT  
**STRADA**

# LEDiL

Plastic moulding general tolerances according to DIN 16901-130 and applies if not otherwise shown in the drawing. Silicone moulding general tolerances according to ISO 3302-1 Class M3 and applies if not otherwise shown in the drawing.

FIRST ANGLE PROJECTION:



This drawing is the property of LEDiL Oy. It may not be copied or otherwise distributed without prior written permission from LEDiL Oy.

SCALE 1:1

WEIGHT -

A4 SHEET 1/1

D

A